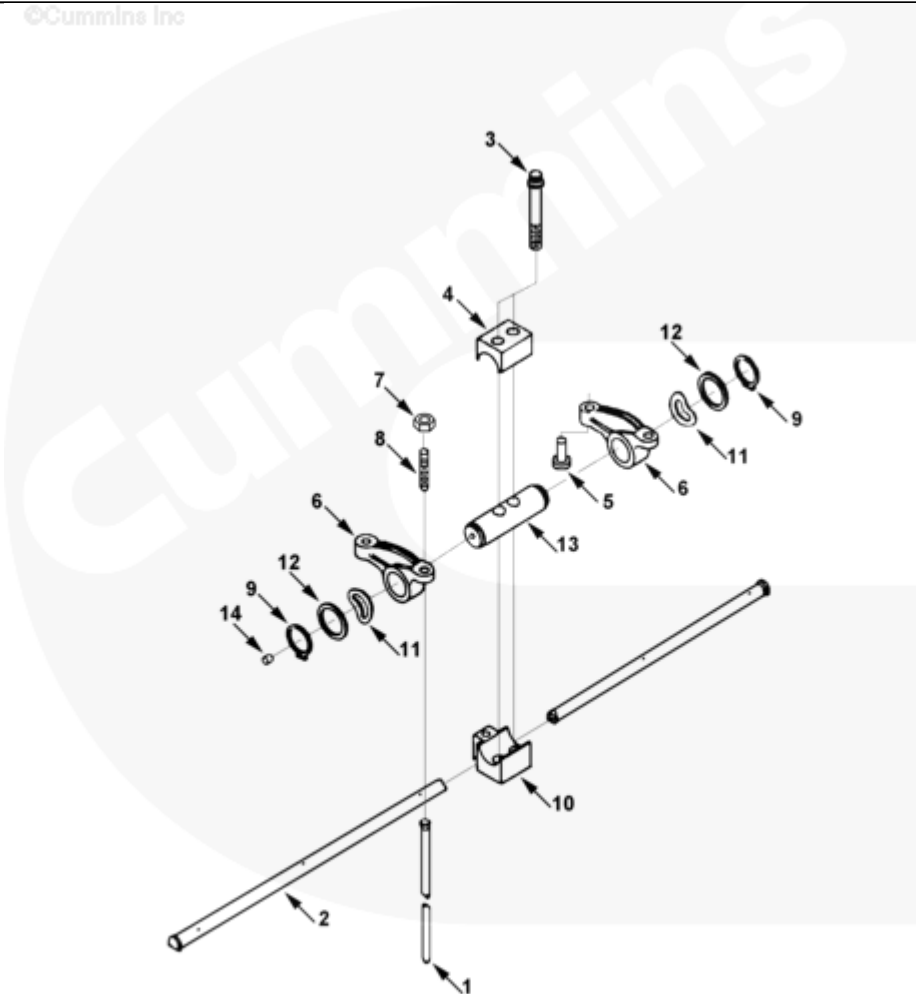




Parts Catalog - Option Detail

Electronic Parts Catalog - Option Detail				
Option	Group	Graphic	Film Card	Date
BP9795-08	03.01	bp952gz	Z	18-SEP-00
Engines	6C8.3, C GAS PLUS CM556, G8.3, G8.3 CM558, GTA8.3 CM558, ISC CM2150, ISC CM554, ISC CM850, ISC8.3 CM2250, ISC8.3 G CM2180 C101, ISL CM2150, ISL CM554, ISL CM850, ISL G CM2180, ISL8.9 CM2150 L110, ISL8.9 CM2880 L112, ISL9 CM2150 SN, ISL9 CM2250, ISL9 CM2350 L101, ISL9 CM2350 L111, ISLE4 CM850, L GAS PLUS CM556, L8.9, L8.9 L121, L8.9G CMOH2.0 L125B, L9 CM2350 L116B, L9 CM2350 L119B, L9 CM2350 L120C, L9 CM2350 L123B, L9.3 L105, L9.5 L117, L9N CM2380 L124B, QSC8.3 CM2250, QSC8.3 CM2880 C102, QSC8.3 CM554, QSC8.3 CM850(CM2850), QSL9 CM2250, QSL9 CM2250 L115, QSL9 CM2350 L102, QSL9 CM2350 L107, QSL9 CM2350 L118, QSL9 CM2350 L122, QSL9 CM554, QSL9 CM850(CM2850), QSL9 G CM558, QSL9 M CM2250 L106, QSL9.3 CM2880 L113			



bp952gz

[SMALL](#) | [MEDIUM](#) | [LARGE](#)

Cart	Ref No	Part Number	Part Description	Required	Remarks
View My Cart					
		BP9795-08	Rocker Lever		MR - LEVER, ROCKER...(More)
					Engine Family: C Series
					Cylinders: 6
					P/N 3914606 Can Be Used In
					Place of 3934921
<input type="checkbox"/>	1	3905194	Push Rod	12	
<input type="checkbox"/>	2	3919677	Oil Manifold	1	
<input type="checkbox"/>		3934921	Rocker Lever	6	
<input type="checkbox"/>	3	3901617	Twelve Point Cap Screw	2	M10 x 1.50 x 65
<input type="checkbox"/>	4	3901693	Retaining Clamp	1	
<input type="checkbox"/>		3901717	Rocker Lever	2	
	5	3902588	Rocker Lever Insert	1	
	6	3926429	Rocker Lever	1	
<input type="checkbox"/>	7	3927692	Heavy Hexagon Nut	1	
<input type="checkbox"/>	8	3937438	Rocker Lever Adjusting Screw	1	
<input type="checkbox"/>	9	3901764	Retaining Ring	2	
<input type="checkbox"/>	10	3905870	Rocker Lever Support	1	
<input type="checkbox"/>	11	3906100	Spring Washer	2	
<input type="checkbox"/>	12	3907206	Plain Washer	2	M22
<input type="checkbox"/>		3919435	Rocker Lever Shaft	1	
	13	3919433	Rocker Lever Shaft	1	
<input type="checkbox"/>	14	3919434	Rivet	1	

© 2019 Cummins Inc., Box 3005, Columbus, IN 47202-3005 U.S.A.
Terms of Use and Disclaimers | Recommended System Requirements
Need Assistance? Please click on the Contact Us button in the top right corner of any page.